

# la tavola<sup>®</sup>

*Wonderbuffet*



*mg* HOTEL SUPPLIES

21, Markarian Building, Street 401, Mkalles  
T: +961 1 694 194 M: +961 76 444 660  
P.O.Box 55240 Sin El Fil, Lebanon  
E-mail [sec@mghotelsupplies.com](mailto:sec@mghotelsupplies.com)  
f MG SUPPLIES @ MG.SUPPLIES

# THE HOSPITALITY INDUSTRY A FAMILY AFFAIR

7 GENERATIONS  
AT THE SERVICE OF  
THE HOSPITALITY  
INDUSTRY

LA TAVOLA IS A PERFECT REPRESENTATIVE OF THE NUMEROUS MEDIUM SIZED COMPANIES THAT FUEL ITALY'S ECONOMY: LA TAVOLA IS OWNED AND MANAGED BY THE SAMBONET FAMILY, WHOSE MEMBERS HAVE SUPPLIED AND SERVED THE HOSPITALITY INDUSTRY FOR GENERATIONS.

## 1831

THE BEGINNINGS. GIUSEPPE SAMBONET OPENS UP A WORKSHOP TO PRODUCE AND SELL SILVER HANDMADE CRAFTS.



## 1919

GIULIO SAMBONET GROWS THE SHOP INTO A FACTORY. THE FACTORY LOCATION IS IN VERCELLI, IN THE SAME BUILDING WHERE THE LA TAVOLA SHOWROOM FINDS ITS CURRENT LOCATION.

## 1946

GIORGIO LEADS THE COMPANY'S EXPANSION TO THE FOREIGN MARKET. LATER IN HIS LIFE HE WILL FOCUS ON HIS CAREER AS A PAINTER AND WRITER, HIS WORK IS CURRENTLY SHOWCASED IN 3 DIFFERENT MUSEUMS IN VERCELLI, ITALY.



## 1974

GIULIO AND SERGIO SAMBONET CONCENTRATE THEIR EFFORT IN SERVING THE HOSPITALITY INDUSTRY. THEY MANAGE THE SAMBONET COMPANY UNTIL 1986, YEAR IN WHICH THEY SELL THEIR SHARES TO START NEW COMPANIES: TABLE TOP ENGINEERING & DESIGN, SANT'ANDREA (IN PARTNERSHIP WITH ONEIDA) AND LA TAVOLA®.

## 2011

MATTEO JOINS THE TEAM, THE 7<sup>TH</sup> GENERATION OF THE SAMBONET FAMILY TO NURTURE A PASSION FOR THE HOSPITALITY INDUSTRY.



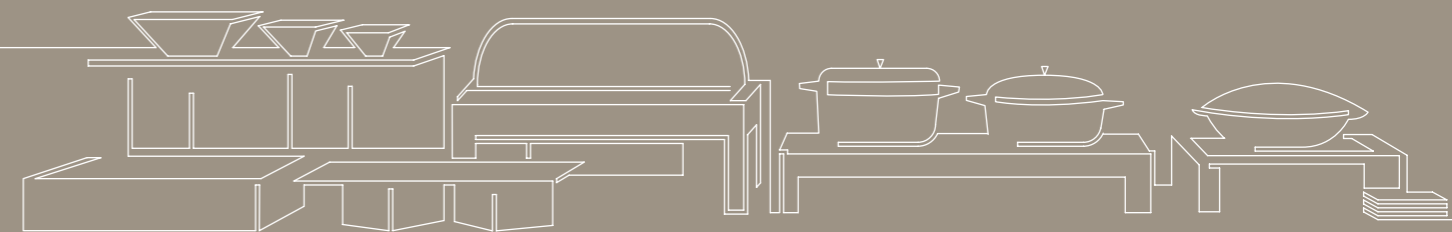
# Buffetware

With the most polished collection of freestanding complements, this won't be your average buffetware.

Define a complete buffet setup arranging the warming, cooling or cooking freestanding functions that you need. Choose among the widest array on the market.

A selection of risers, trays, cooling and warming tops and much more, crafted to ease every HoReCa professional's duties. When functionality meets design, it results into a fully-equipped and seamlessly elegant line of different food preparations.

Shaped in 10 different HPL finishes, matching your existing interior décor will be just as easy as arranging your buffet setup.





la tavola®

# Market displays

Modern and elegant complements to a sophisticated interior decoration.







**MARKET STAND**

L 60 W 72 H 26 cm



**MINI MARKET STAND**

L 60 W 40 H 18 cm

Some examples of configurations available



PORCELAIN FOOD PANS  
1/1GN 1/2GN 2/3GN  
1/3GN 2/4GN



PORCELAIN FOOD PANS  
1/1 GN 1/2 GN 1/3 GN



**FLOWER POTS**

L 60 W 72 H 26 cm  
30 bowls capacity



**MINI FLOWER POTS**

L 60 W 40 H 18 cm  
15 bowls capacity

CERAMIC JAPANESE BOWLS  
Ø 11 H 6,5 cm 0,2 lt



PREMIUM QUALITY  
CERAMIC BOWLS  
Ø 24 H 9 cm 2 lt



**FLYOVER**

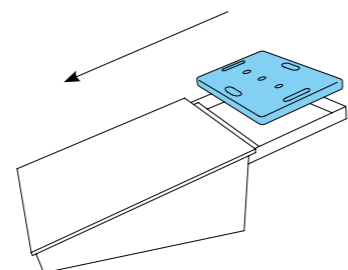
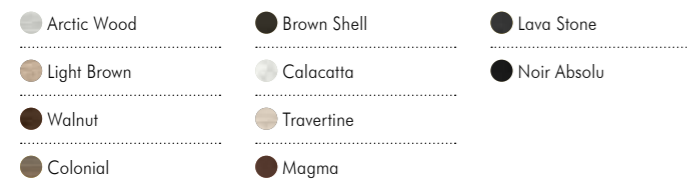
L 54 W 47 H 11 cm  
3 bowls capacity



**THE TREE RISER**

L 60 W 60 H 40 cm

FINISHES



**Cooling System**

The hidden eutectic plate is placed in a st. st. tray underneath the bowls / food pans

FINISHES





**2-LEVELS DISPLAY**

L 60 W 40 H 51 cm

Powder coating finishes applied on the structure:  
Matt, Black, Copper/Bronze and Gold



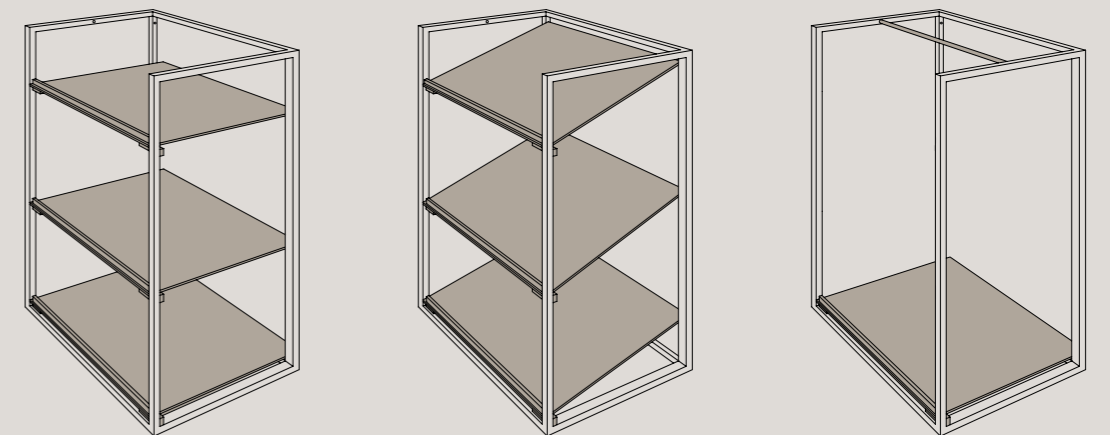
**3-LEVELS DISPLAY**

L 60 W 40 H 76 cm

Powder coating finishes applied on the structure:  
Matt, Black, Copper/Bronze and Gold



**How does it work?**



Each level can be easily reclined or removed according to the display requirements.  
Simply remove the two upper levels and place the bar in the middle to use it as a hanger for a dynamic display setup.

**Multi-level Displays**

STRUCTURE FINISHES

- St. st. satin finish
- Powder coating black
- Powder coating copper/bronze
- Powder coating gold

HPL FINISHES

- Arctic Wood
- Walnut
- Brown Shell
- Travertine
- Lava Stone
- Light Brown
- Colonial
- Calacatta
- Magma
- Noir Absolu



**MARKET BOX LARGE**  
L 53 W 33 H 10 cm



**MARKET BOX SMALL**  
L 33 W 33 H 10 cm



**MARKET BOX LARGE WITH 6 PARTITIONS**  
L 53 W 33 H 10 cm



**MARKET BOX SMALL WITH 4 PARTITIONS**  
L 33 W 33 H 10 cm



**MARKET TRAY LARGE**  
L 53 W 33 H 7 cm



**MARKET TRAY LARGE WITH 7 PARTITIONS**  
L 53 W 33 H 7 cm

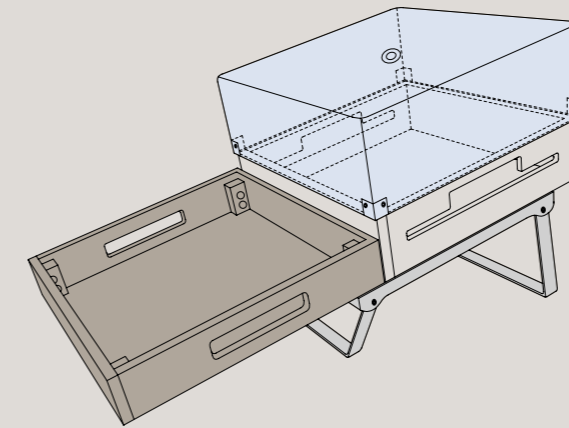


**MARKET TRAY LARGE WITH 4 PARTITIONS**  
L 53 W 33 H 7 cm

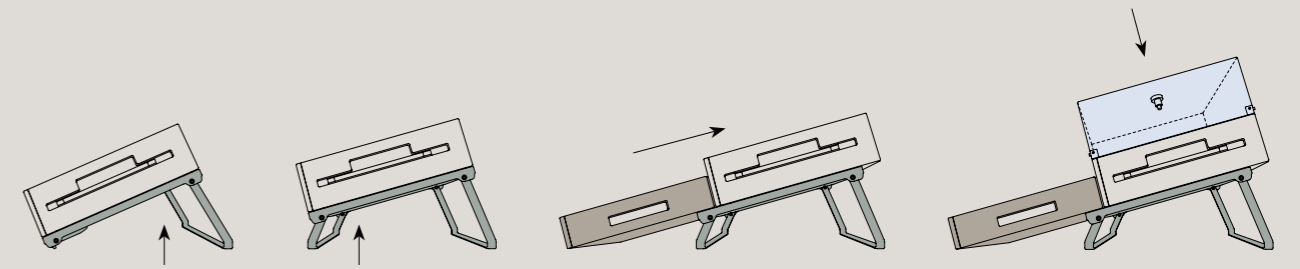


**MARKET TRAY SMALL**  
L 33 W 33 H 7 cm

## Market Boxes and Trays



**Combine the elements to create a display setup that satisfies your needs.**



The adaptable boxes and trays are designed to allow for maximum freedom of movement: deploy the stand and adjust its legs to create different display combinations and place the trays and boxes on top or half-hooked.

Come with or without cover, each piece can transform as your service demands do.



### TRANSPARENT PETG COVERS



For large Market box/tray  
L 54 W 34 H 7 cm



For small Market box/tray  
L 34 W 34 H 7 cm

### BOX/TRAY SUPPORT



For large Market box/tray  
L 53 W 34 H 16,5 cm



For small Market box/tray  
L 33 W 34 H 16,5 cm

### FINISHES

- Arctic Wood
- Light Brown
- Walnut
- Colonial
- Brown Shell
- Calacatta
- Travertine
- Magma
- Lava Stone
- Noir Absolu

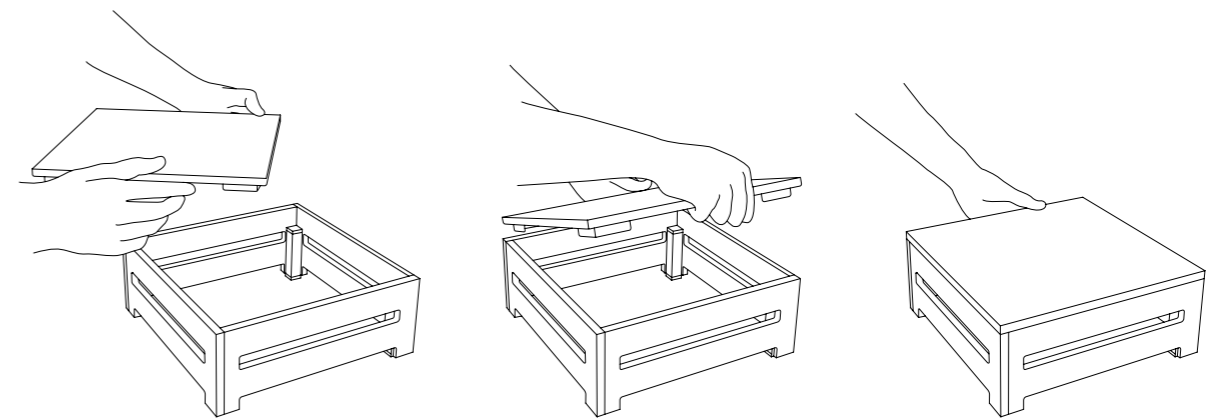




## Market Elevation System

The Market Elevation System is a simple tool that allows for the creation of a functional and stunning buffet presentation. 4 different heights, smoked or clear glass pieces to create junctions, neutral or hot/cold tops to hold any type of food.

The main material used is HPL, a very durable, eco-friendly and hygienic material





## Elevations and Crosses

### ELEVATIONS



**2-LEVELS ELEVATION  
SMALL**  
L 33 W 33 H 13 cm



**2-LEVELS ELEVATION  
LARGE**  
L 57 W 35 H 13 cm



**4-LEVELS ELEVATION  
SMALL**  
L 33 W 33 H 26 cm



**4-LEVELS ELEVATION  
LARGE**  
L 57 W 35 H 26 cm



**6-LEVELS ELEVATION  
SMALL**  
L 33 W 33 H 39 cm



**8-LEVELS ELEVATION  
SMALL**  
L 33 W 33 H 52 cm

### CROSSES



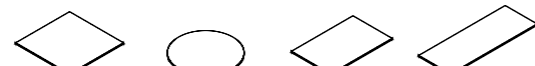
**HIGH MARKET RISER**  
L 33 W 33 H 38,5 cm



**LOW MARKET RISER**  
L 33 W 33 H 25 cm

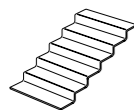
#### CROSSES TOPS

Available in transparent hardened glass, smoked hardened glass or HPL finishes

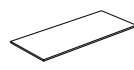


50 x 50 cm    Ø 50 cm    57 x 36,5 cm    80 x 30 cm

### TRANSPARENT OR SMOKED GLASS CONJUNCTION ELEMENTS



L 44 W 24,5  
H 19 cm



L 55 W 24,4  
H 1 cm



L 85 W 24,4  
H 1 cm



L 60,2 W 24,4  
H 1 cm



L 64,6 W 24,4  
H 1 cm

### FINISHES

- Arctic Wood
- Light Brown
- Walnut
- Colonial
- Brown Shell
- Calacatta
- Travertine
- Magma
- Lava Stone
- Noir Absolu

## Elevation Tops

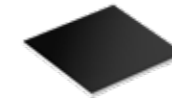
### GLASS TOPS

Glass available in black or white



### HPL TOPS

Available in all finishes



L 33 W 33 H 2,4 cm



L 57 W 35 H 2,4 cm  
FOR LARGE ELEVATIONS

### WARMING TOPS

Glass available in black or white

### COOLING TOPS

Glass available in black or white



L 33 W 33 H 4,5 cm



L 57 W 35 H 4,5 cm  
FOR LARGE ELEVATIONS

### WARMING PAN TOPS

Electric heating

### COOLING PAN TOPS

Eutectic cooling

All GN food pans available.  
Transparent covers can be applied only  
on 1/2 GN food pans.



L 33 W 33 H 4,5 cm



L 57 W 35 H 4,5 cm  
FOR LARGE ELEVATIONS

### COCOTTE TOPS

Ceramic cocotte Ø 28 cm  
Cast iron cocotte Ø 26 cm



L 33 W 33 H 4,5 cm



L 57 W 35 H 4,5 cm  
FOR LARGE ELEVATIONS

### TRANSPARENT PETG COVERS



L 34 W 34 H 12 cm



L 54 W 34 H 12 cm  
FOR LARGE ELEVATIONS

# la tavola



21, Markarian Building, Street 401, Mkalles  
T: +961 1 694 194 M: +961 76 444 660  
P.O.Box 55240 Sin El Fil, Lebanon  
E-mail [sec@mghotelsupplies.com](mailto:sec@mghotelsupplies.com)  
f MG SUPPLIES @ MG.SUPPLIES